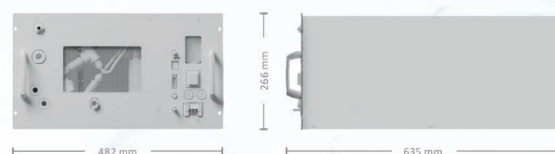


ELECTROLYSER EL 4.0

ENAPTER'S PATENTED ANION EXCHANGE MEMBRANE (AEM) ELECTROLYSER IS A STANDARDISED, STACKABLE AND FLEXIBLE SYSTEM TO PRODUCE ON-SITE HYDROGEN.



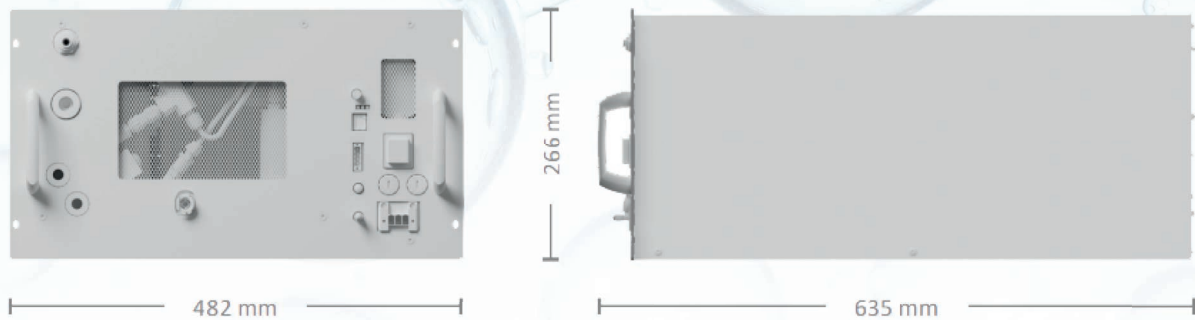
AEM Electrolyser EL 4.0

The modular design – paired with advanced software integration – allows set up in minutes and remote control and management. Stack this electrolyser to achieve the required hydrogen flowrate.

Production rate	Up to 500 NL/h, up to 1.0785 kg/24 h
Hydrogen output purity	35 barg: 99.9% (1000 ppm H ₂ O) 8 barg: > 7000 – 9000 ppm H ₂ O (TBD)
Output pressure	Up to 35 barg
Nominal power consumption per Nm³ of H₂ produced	4.8 kWh/Nm ³ , beginning of life
Operative power consumption	2.4 kW, beginning of life
Peak power consumption	3 kW
Max heat dissipation	800 W
Standby power consumption¹	30 W
Power supply	200 – 230 V(AC), 50/60 Hz
Maximum water input conductivity	20 µS/cm at 25 °C
Water consumption	~ 420 mL/h at 25 °C
Water input pressure range	1 – 4 barg
Ambient operative temperature range	5 °C – 45 °C
Ambient operative humidity range	Up to 90% humidity, non-condensing
IP rating	IP 20
Dimensions	W: 482 mm × D: 635 mm × H: 266 mm

ELECTROLYSER EL 4.0

ENAPTER'S PATENTED ANION EXCHANGE MEMBRANE (AEM) ELECTROLYSER IS A STANDARDISED, STACKABLE AND FLEXIBLE SYSTEM TO PRODUCE ON-SITE HYDROGEN.



Dimensions	W: 482 mm × D: 635 mm × H: 266 mm
Weight	42 kg
Space inside cabinet	6 U
Control and monitoring	Fully automatic with Enapter's EMS via 2.4 GHz Wi-Fi and Bluetooth, Modbus TCP over Ethernet
Conformity	CE mark according to the machine directive 2006/42/CE ² UKCA mark according to Supply Machinery (Safety) Regulations 2008 ³

AEM: Anion Exchange Membrane

¹ Standby refers to the condition in which no hydrogen is being produced and the auxiliary components are not powered.

² The Electrolyser belongs to S.E.P. category according to Pressure Equipment Directive 2014/68/EU

³ The Electrolyser belongs to S.E.P. category according to Pressure Equipment (Safety) Regulations 2016

AEM Electrolyser EL 4.0
www.enapter.com/aem-electrolyser